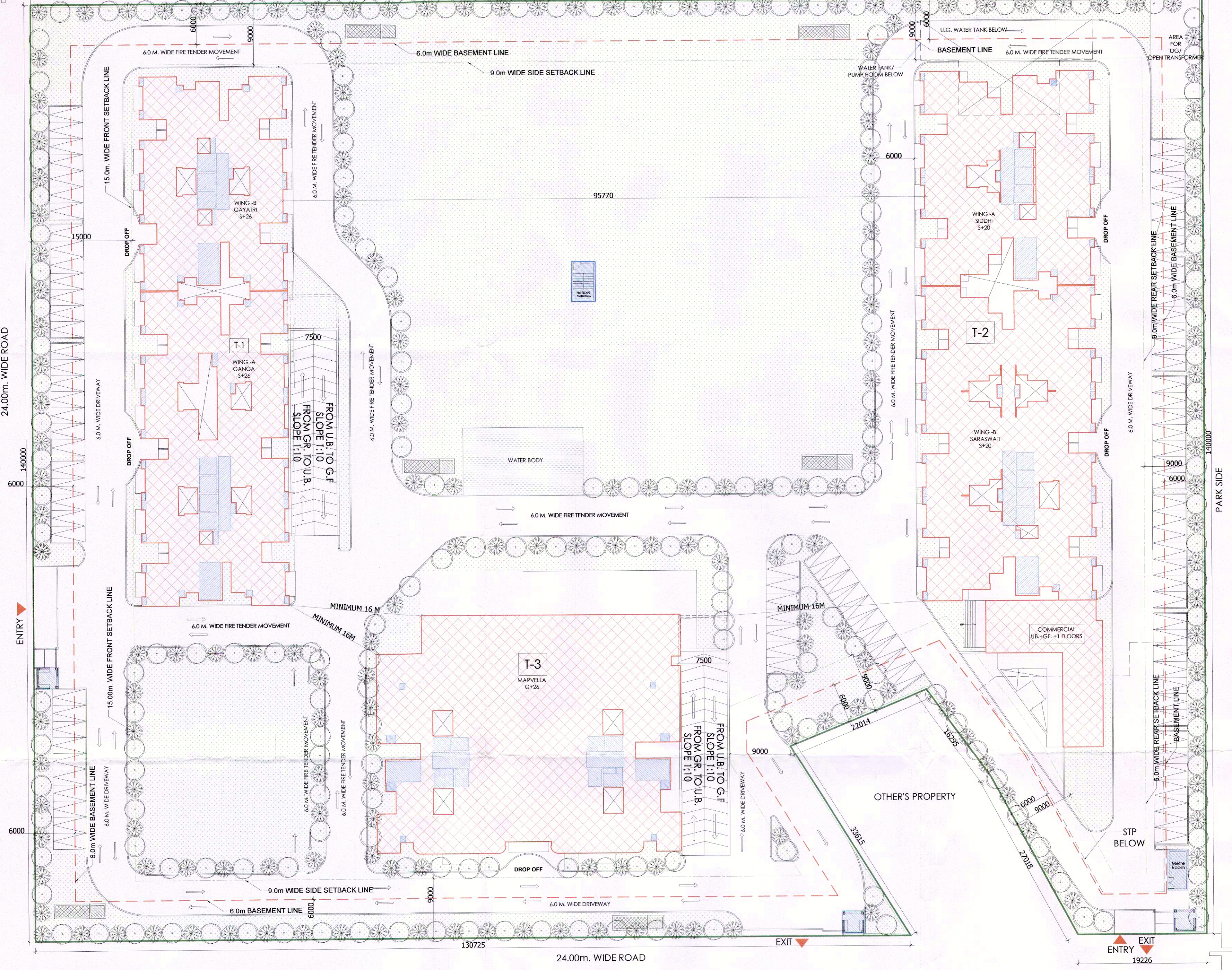
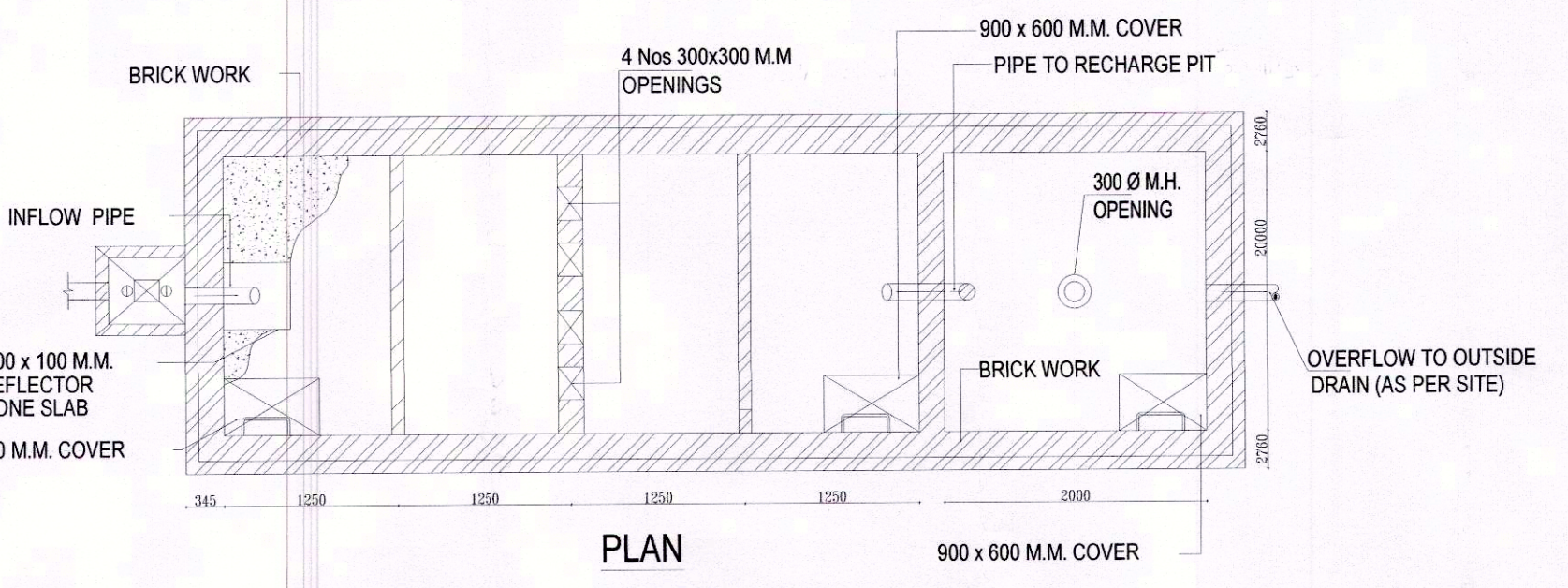


OTHER'S PROPERTY
175000

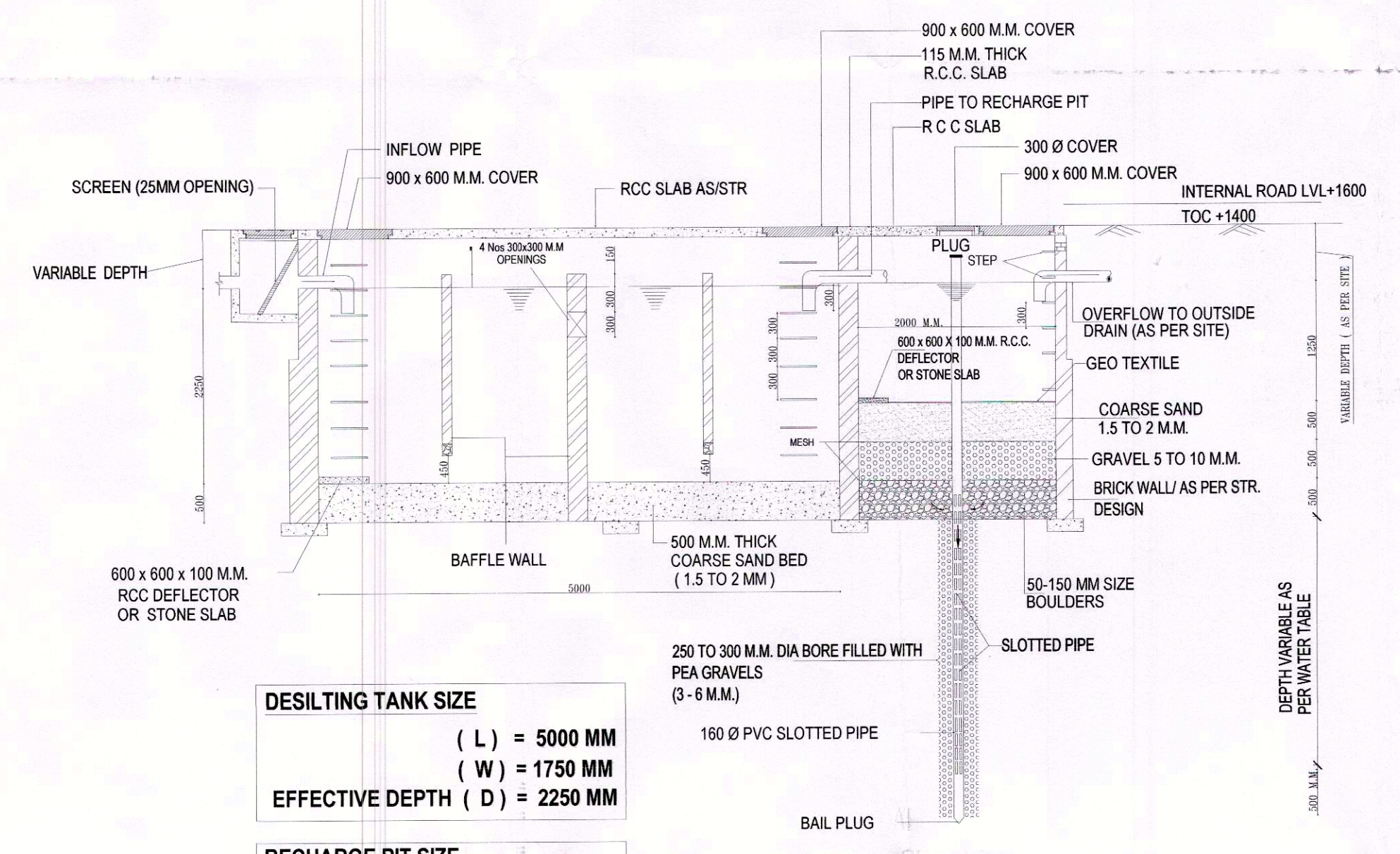


NOTE :
THE BOREWELL PIPE OF RECHARGE PIT SHOULD BE LEFT ATLEAST 5 M. ABOVE THE KNOWN HIGHEST WATER TABLE TO AVOID ANY POSSIBLE POLLUTION TO THE AQUIFER.



PLAN
DESSILTING / SETTLING CHAMBER & RECHARGE PIT

Greater Noida Industrial Dev. Authority
APPROVED
Date: 25/01/14
Valid upto Date: 25/01/14
Gen. M. (Png. & Arch.)
Drawing Checked & Verified By
S. K. Singh



SECTION
RWH DETAIL

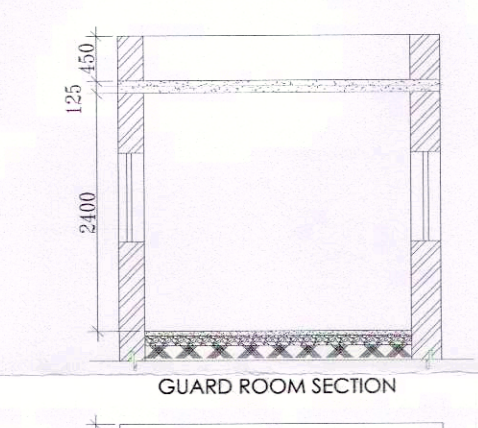
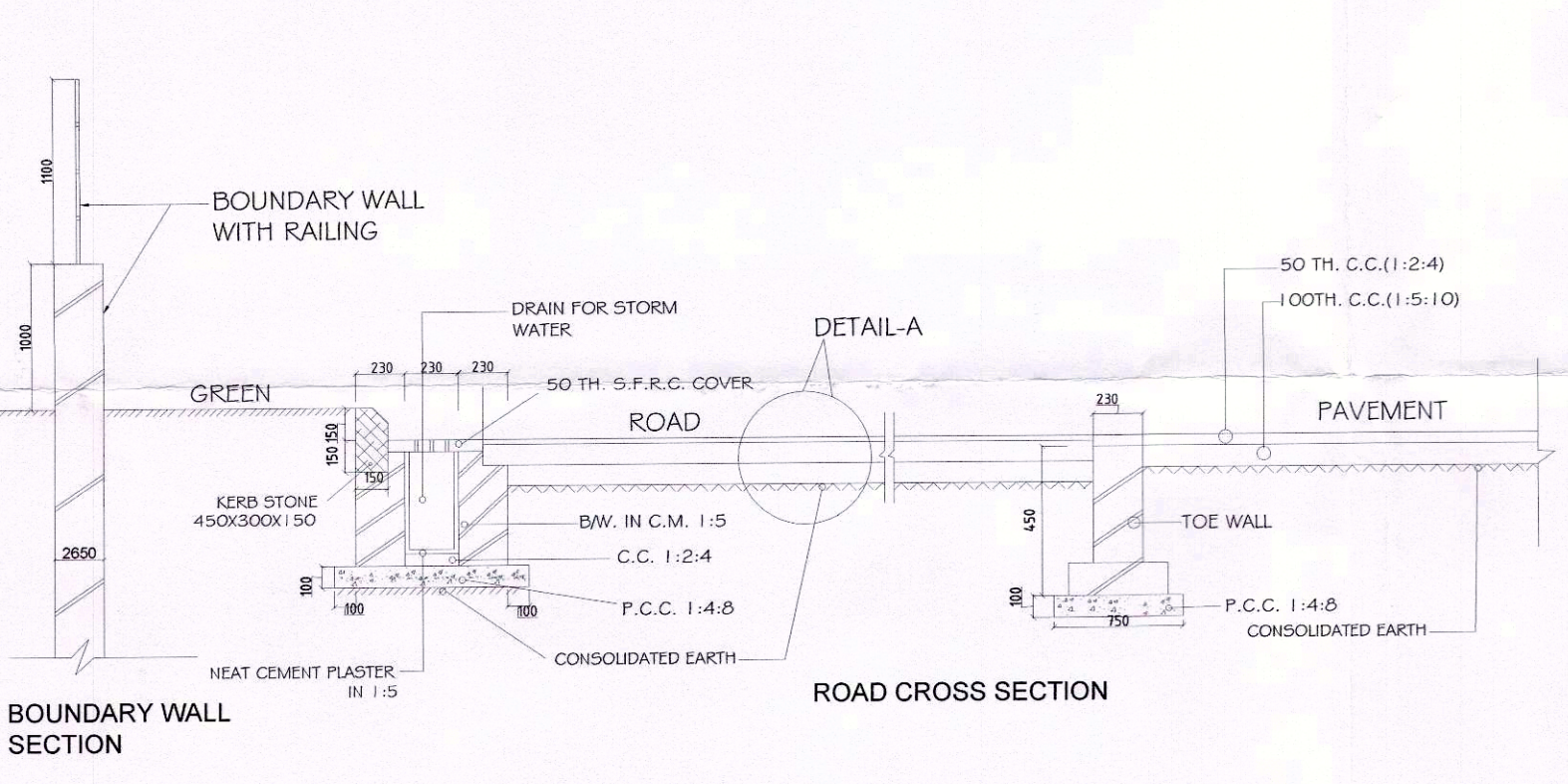
DESILTING TANK SIZE
(L) = 5000 MM
(W) = 1750 MM
EFFECTIVE DEPTH (D) = 2250 MM

RECHARGE PIT SIZE
(L) = 2000 MM
(W) = 1750 MM
EFFECTIVE DEPTH = 1250 MM

- LEGEND**
- BUILDING FOOTPRINT
 - GREEN AREA
 - WATERBODY
 - SERVICE AREA
 - R.W.H.P

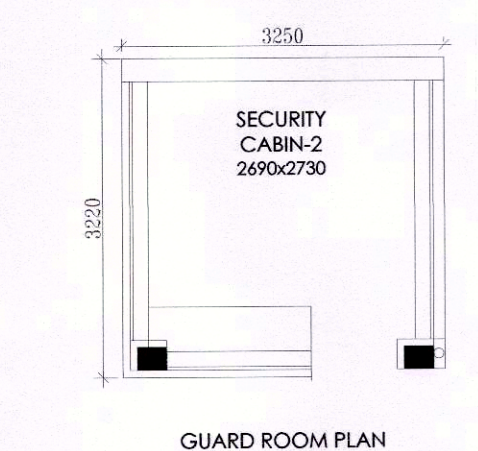
PRODUCED BY AN AUTODESK EDUCATIONAL PRODUCT

SITE LAYOUT



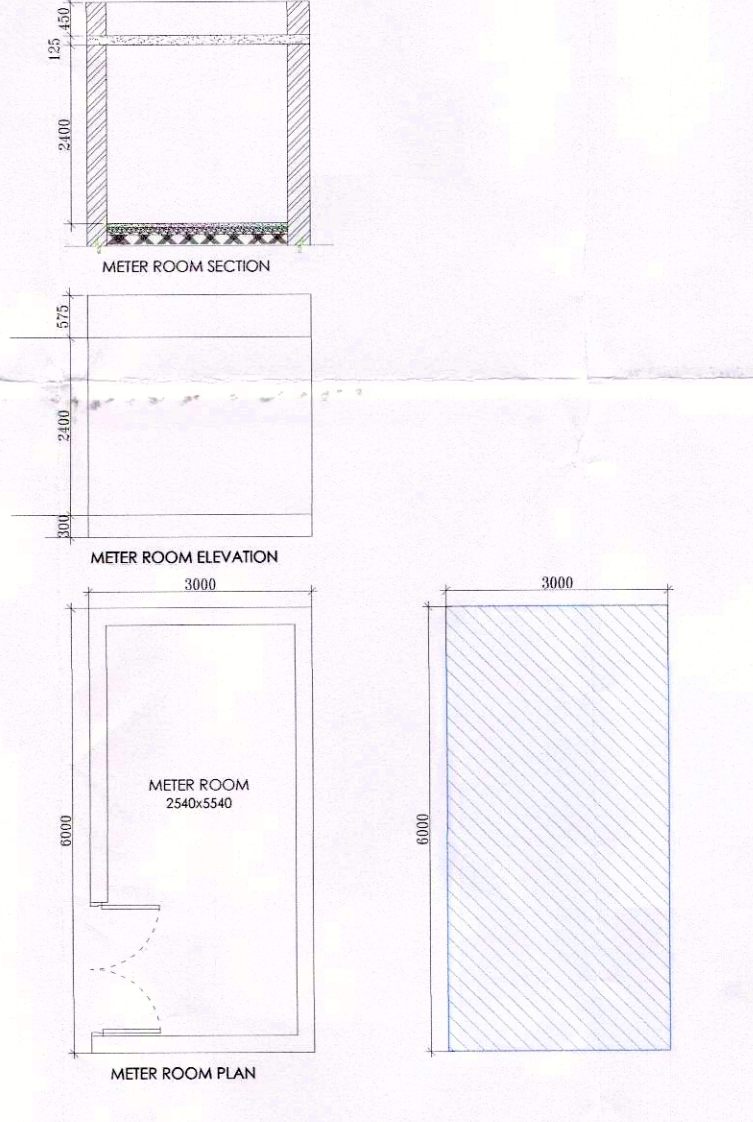
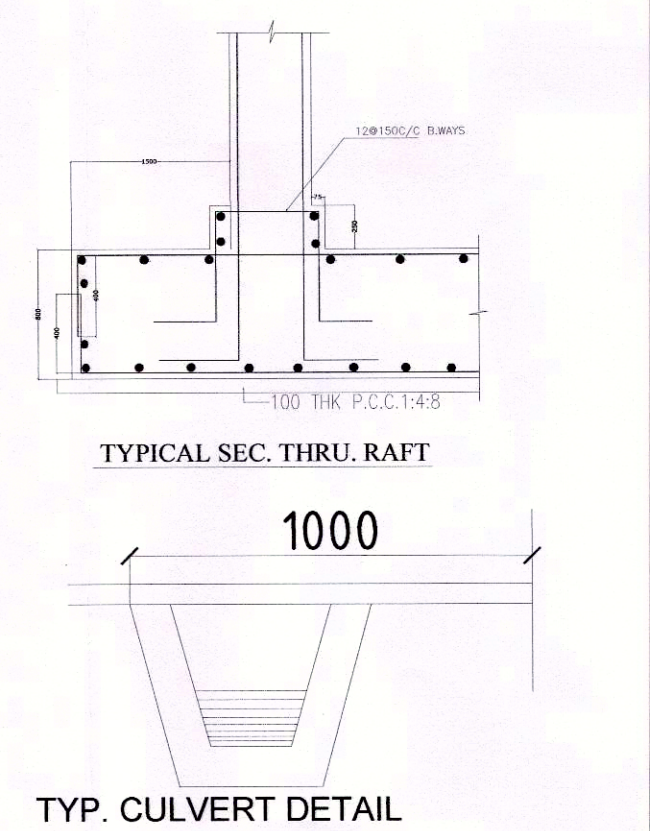
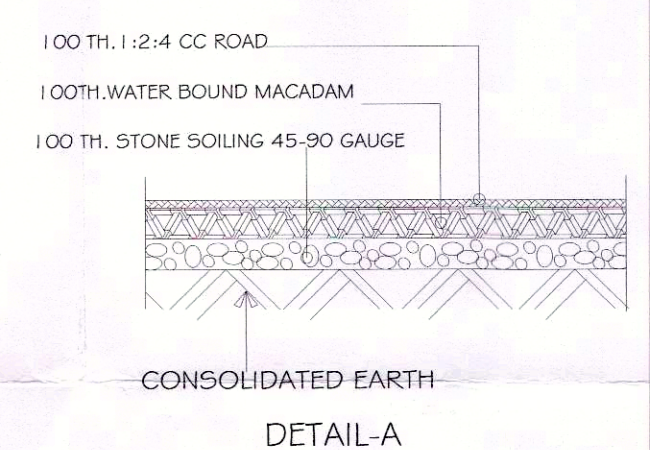
GUARD ROOM AREA CALCULATION

ITEM	WIDTH	LENGTH	AREA(SQ. M)
1	3.25	3.25	10.56
TOTAL			10.56



OPEN TRANSFORMER AREA CALCULATION

ITEM	WIDTH	LENGTH	AREA(SQ. M)
1	2.25	14.76	33.27
TOTAL			33.27



METER ROOM

ITEM	WIDTH	LENGTH	AREA(SQ. M)
1	3.000	8.000	24.000
TOTAL			24.000

SUBMISSION DRAWING

PROJECT:
REVISED SUBMISSION DRAWINGS FOR PROPOSED GROUP HOUSING AT PLOT No:- GH-01/A, SECTOR-10, GREATER NOIDA WEST (U.P) FOR M/s HEBE INFRASTRUCTURE PVT. LTD.

DRAWING TITLE :
SITE LAYOUT AND OTHER DETAILS

Shama Cudh
Ar. Mrs. SHAMA GUPTA
(B.Arch. A.I.I.A.)
CA/93/15817
1032, Sec-4, Vasundhara
Ghaziabad

OWNER'S SIGN	ARCHITECT'S SIGN.
For HEBE INFRASTRUCTURE PVT. LTD. <i>Shama Cudh</i> Authorised Signatory	N N
SCALE 1:350	DEALT BY SHUCHI JAIN
DESIGN BY	CHECKED BY
	DATE - MARCH-2014
	DRG. No. SD-02

TOTAL ECS PROPOSED=
= STILT +SURFACE+UPPER BASEMENT+ LOWER BASEMENT
= 65+57+ 596+606 ECS
= 1324 ECS

PROPOSED ELECTRICAL LOAD = 3150 Kw

MINIMUM LANDSCAPE AREA REQUIRED = 9418.94 SQ.M.

LANDSCAPE AREA PROVIDED = 9540.271 SQ. M.